

PUMP AND MOTOR DATA

n (rpm):	2900	2nd impeller diameter (mm):	0.00
N. of impellers:	10	Motor type:	IM
Max working pressure (bar):	16	Motor phase:	3~
H max (m):	109.00	Un (V):	400/690
H min (m):	52.00	fn (Hz):	50
Q min (mc/h):	5.00	Poles:	2
Q max (mc/h):	13.00	Duty:	S1
Pn (kW):	4.00	Min liquid temperature (°C):	-15.00 °C
Pn (HP):	5.50	Weight (kg):	55.500
Impeller diameter (mm):	100.50		

MATERIALS

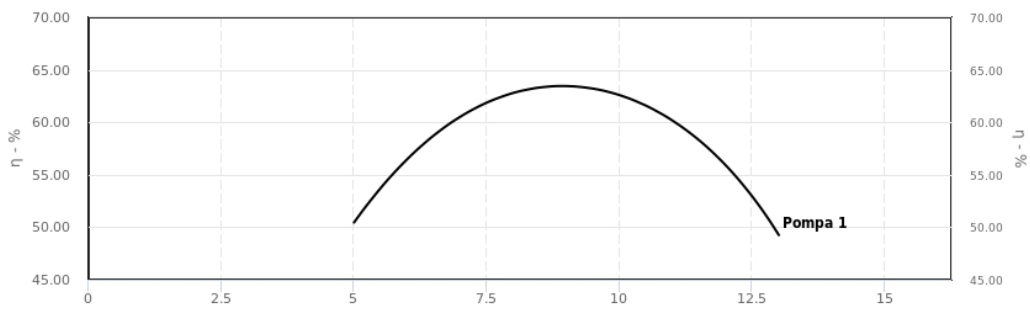
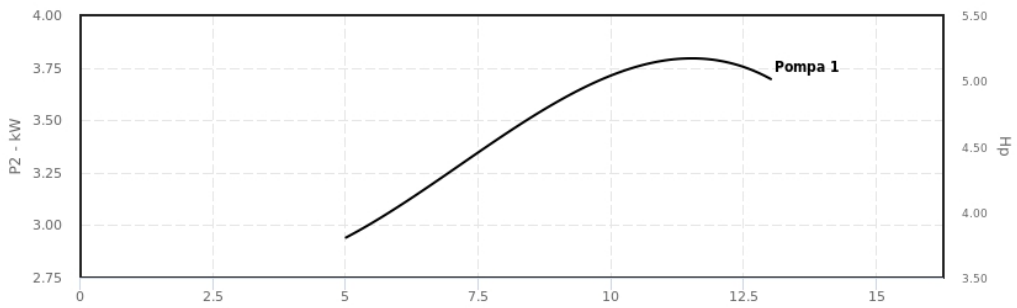
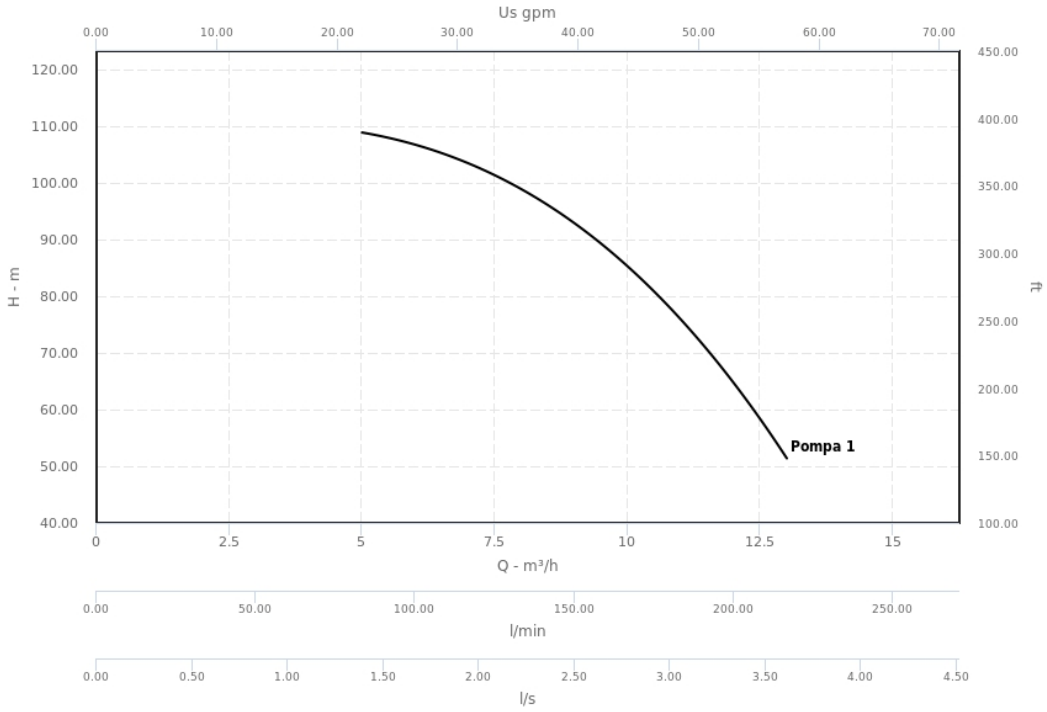
External Jacket:	Cr-Ni steel 1.4301 EN 10088 (AISI 304)	Upper Cover:	Cr-Ni steel 1.4301 EN 10088 (AISI 304)
Pump Casing:	Cr-Ni steel 1.4301 EN 10088 (AISI 304)	Spacer Sleeve:	Cr-Ni steel 1.4301 EN 10088 (AISI 304)
Suction Casing:	Cr-Ni steel 1.4301 EN 10088 (AISI 304)	Shaft:	Cr-Ni steel 1.4305 EN 10088 (AISI 303)
Suction Flange:	Cr-Ni steel 1.4301 EN 10088 (AISI 304)	Mechanical Seal:	Hard Metal-Carbon-EPDM
Delivery Casing:	Cr-Ni steel 1.4301 EN 10088 (AISI 304)	Counter Flanges:	Cr-Ni steel 1.4301 EN 10088 (AISI 304)
Stage Casing:	Cr-Ni steel 1.4301 EN 10088 (AISI 304)	O-ring:	NBR
Impeller:	Cr-Ni steel 1.4301 EN 10088 (AISI 304)	Bearing Sleeve:	Corrosion-resistant-Cemented carbide
Wear ring impeller-diffuser:	PTFE	Bearing in the casing:	Ceramic alumina
Lower Cover:	Cr-Ni steel 1.4301 EN 10088 (AISI 304)		

GROUP DATA

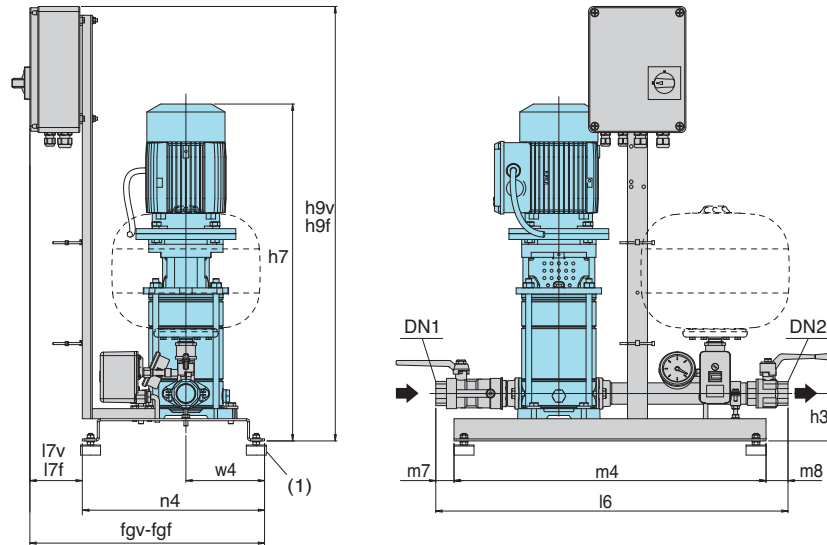
Number of pumps:	1	Control panel:	QTL/A1D12A-FA
Fixed speed / Variable speed:	V fissa	Power supply:	4 x 1
		Supply voltage:	400

BOOSTER SET MATERIALS

Manifolds:	AISI304	Fittings:	Brass
Interception pans:	Nickel-plated brass, PTFE	Anti-vibration feet:	NBR
Non-return valve:	Nickel-plated brass, PTFE, NBR	Gaskets:	NBR
Pressure switch:	Galvanized steel, NBR	Base:	S235JR Nickel-plated
Pressure transducer:	-		



DIMENSIONS (MM)



TYPE	TYPE	DN1	DN2	mm													
				h9f	h9v	h7	h3	m4	m7	m8	l6	n4	w4	fgf	fgv	l7f	l7v
BS1. 1 MXV 25-304 O	BSM1. 1 MXV 25-304 O	G 1	G 1	862	1144	666	94	625	15	11	651	365	158	470	574	105	209
BS1. 1 MXV 25-305 O	BSM1. 1 MXV 25-305 O					690											
BS1. 1 MXV 25-306 O	BSM1. 1 MXV 25-306 O					714											
BS1. 1 MXV 25-307 O	BSM1. 1 MXV 25-307 O					738											
BS1. 1 MXV 25-308 O	BSM1. 1 MXV 25-308 O					762											
BS1. 1 MXV 25-310 O						811											
BS1. 1 MXV 25-312 O		899															
BS1. 1 MXV 32-504 O	BSM1. 1 MXV 32-504 O	G 1 1/4	G 1 1/4	862	1144	666	94	625	37	44	706	365	158	470	574	105	209
BS1. 1 MXV 32-505 O	BSM1. 1 MXV 32-505 O					690											
BS1. 1 MXV 32-506 O	BSM1. 1 MXV 32-506 O					714											
BS1. 1 MXV 32-507 O	BSM1. 1 MXV 32-507 O					738											
BS1. 1 MXV 32-508 O						802											
BS1. 1 MXV 32-510 O						851											
BS1. 1 MXV 32-512 O		915															
BS1. 1 MXV 40-904 O	BSM1. 1 MXV 40-904 O	G 1 1/2	G 1 1/2	862	1144	711	124	625	87	79	790	365	160	470	574	105	209
BS1. 1 MXV 40-905 O						781									574		209
BS1. 1 MXV 40-906 O						811									574		209
BS1. 1 MXV 40-907 O						857									574		209
BS1. 1 MXV 40-908 O						887									574		209
BS1. 1 MXV 40-910 O						947									638		273
BS1. 1 MXV 40-911 O						977									638		273

Dimensions not binding to be verified when ordering

(1) Anti-vibration pads kit supplied loose as stand

h9f-l7f= Fixed speed boosting sets

h9v-l7v= Variable speed boosting sets